

93 kW / 127 HP Powershift



CAB / VISIBILITY AND SAFETY

Comfortable cab delivers perfect view of the work, thus improving the safety and productivity level of the operator. Clearly structured and laid out controls together make it simple and intuitive to operate LKT 81. Add on options such as air-conditioning and radio/CD player are available to make the hard work more enjoyable and minimize fatigue.



WINCH

LKT 81 can be fitted with either 2 x 80 kN or stronger 2 x 100 kN pull winch. LKT 81 is one of very few cable skidders on the market with a 2 x 100 kN winch that gives the operator the ability to winch a full load on both drums at the same time. Automatic, load-based speed regulation makes for easier general operation, and manual override gives operators the flexibility to take more control when desired. Advanced overload protection system prevents slipping and excessive disk abrasion. Together these features make for longer life and more wood winched out of the forest.



CENTER AXIAL BEARING

Frame swing locks up in various positions, for versatility in terrain and while driving, thus guarantees constant tire-to-surface contact. Low center of gravity adds additional stability making it easier to overcome all the terrain obstacles operators may encounter.



MANEUVERABILITY AND HANDLING

Two articulation cylinders, great approach and departure angles (45°/30° approach, 40°/30° departure), small turning radius, and flat bottomed chassis with ground clearance up to 640 mm give LKT 81 great movability and agility with smooth and easy turning in both forest and mountain terrain.



ENGINE AND HYDRAULICS

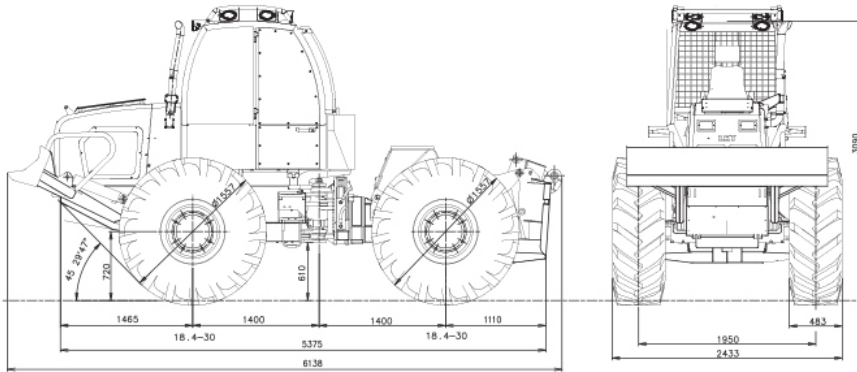
LKT 81 is fitted with 93 kW (127 HP) JCB Dieselmax engine and JCB Powershift hydrodynamic clutchless transmission with torque converter lock up options. This solution adds simplicity and ease to engine operation, allowing the operator to focus on the more important tasks, while at the same time reducing fuel consumption and overall operating costs. Tilting bonnet and cab make for easy and comfortable access for servicing and repairing, if needed.

LKT 81

LKT 81

TECHNICAL SPECIFICATIONS

Engine	JCB Dieselmax III B	Axlex	NAF
Rated Power	93 kW (127 HP)	Service Brakes	Multi-plate SAFIM hydraulic valve controlled
Rated Speed	2 200 rpm	Cab	Safety cab, ROPS, FOPS, OPS
Fuel Tank	94 L	Winch	2 x 80 kN 14 mm / 60 m, Danfoss Hydraulic motor
Transmission	JCB Powershift hydrodynamic clutchless with torque convertor lock up	Tires	Alliance 18,4/15-30
Gears Forward/Reverse	6/4	Weight	7 600 kg
		Max. Speed	30 km/h



OPTIONAL EQUIPMENT

SPHERICAL ROLLERS



TIRES



REMOTE CONTROL



REAR WINDOW GUARD



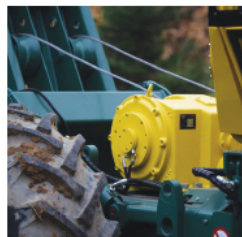
FRONT DOZER BLADE GRAPPLES



MOUNTED CAB ROOF LIGHTS



WINCH 2 X 100 kN



THREE POINT HITCH



MARTIMEX
ALFA

MARTIMEX ALFA, a.s.
Červenej armády 1, 036 65 Martin
Slovakia
Tel.: +421 / 43 / 4002 101
Fax.: +421 / 43 / 4134 834
E-mail: alfa@martimexalfa.sk
www.martimexalfa.com

